



# T-DIVERTER DAMPERS

Isolation, Bypass and Flow Modulation

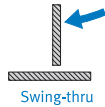


## T-Diverter Dampers

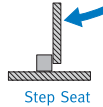
“T” Diverter Dampers are commonly used when an application requires diversion of gas flow to another direction. This Damper is normally arranged as a dual damper and resembles a Pipe-T. The individual dampers are externally mechanically linked so that when one is open, the other is closed. By adding a modulating actuator, this damper will allow diversion or modulation to either outlet. Standard 90° and 45° T-damper assemblies are available as round and rectangular / square configurations.

## Shaft Seals

Flextech Industries’ provides a low-cost heavy-duty design suitable for applications with clean, corrosive, dirty and or dry environments. Our design can be utilized for applications up to 2000 °F gas temperature. Flextech butterfly dampers are equipped with a standard outboard bearing and frame mounted shaft seal arrangement. This arrangement allows for packing replacement without bearing removal.



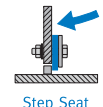
Swing-thru



Step Seat



Tadpole Seal



Step Seat w/Perimeter Seal

Flextech Industries offers four seal designs for butterfly dampers:

## Swing-through Seal

Used in extremely dirty applications where tight shut-off is not required. The gap around the blade can be increased or decreased to suite customer need. This design can be used in applications up to 2000 °F.

## Step Seat

Standard for butterfly dampers. Recommended for relatively clean flue gas applications, with up to 98% sealing efficiency. This can be used in designs up to 2000 °F. This design utilizes a rolled bar welded to butterfly housing at the blade-closed position.

## Tadpole Seal

Also recommended for relatively clean applications - when tighter leakage rates are required. The tadpole seal is constructed of a woven high temperature silica cover with a silica rope bulb. This can be used in designs up to 2000 °F. Provides up to 99.5% sealing efficiency.

## Step Seat with Perimeter Seal

Recommended for clean applications. Similar to the step seat, with the addition of an elastomeric perimeter seal bolted onto the blade. Sealing efficiencies rival those of the tadpole seal. Maximum design temperature is 400 °F.

## Outboard Bearing with Integral Packing Gland

Suitable for applications with particularly dirty and corrosive flue gas environments demand the separation of the shaft seal and bearing - thus protecting the bearing from corrosion. It also allows repacking the gland without bearing removal.

## Actuator Systems for Flap Diverter and T-Diverter Dampers

Flap Diverter and T-Diverter dampers can be supplied with the customer’s choice of actuator and control systems. Actuator options include:



Manual Actuator



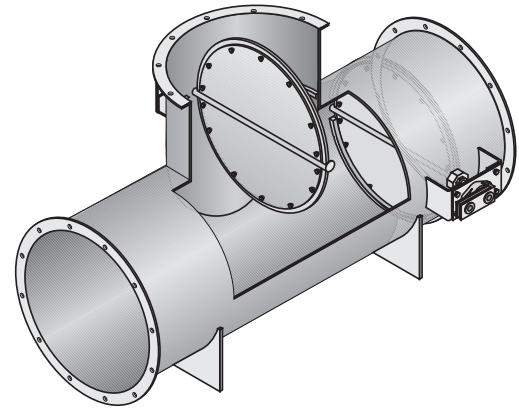
Electric Actuator



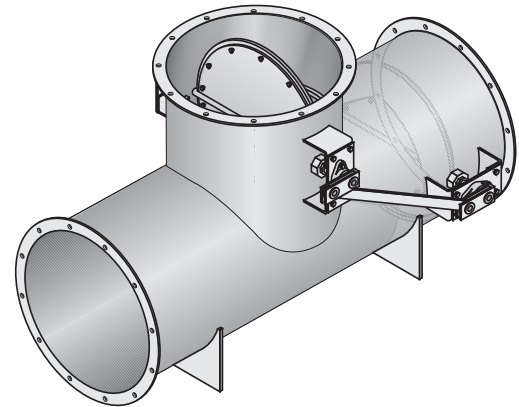
Hydraulic Actuator



Pneumatic Actuator



Open Position - Cut-away view



Open Position



WE MANUFACTURE EXCELLENCE

Damper Inquiries: Clinton, Missouri, 64735. Toll Free 1.877.838.3539  
In Canada call 1.800.830.3539



## WE MANUFACTURE EXCELLENCE

### FLEXTECH INDUSTRIES' PRODUCT LINE INCLUDES:

- metal bellows expansion joints
- fabric, rubber & teflon expansion joints
- flexible hose products
- piping accessories



[www.flextech-ind.com](http://www.flextech-ind.com)

### Damper Inquiries: USA Office / Plant

948 East Nusbaum Place, Clinton, Missouri, USA, 64735

Telephone: 660.885.8899  
 Facsimile: 660.885.6852  
 Toll Free Sales: 1.877.838.3539  
 Email: [us.sales@flextech-ind.com](mailto:us.sales@flextech-ind.com)

### Canada Office / BC Plant

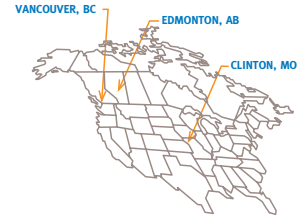
17675 - 66th Ave., Unit 1, Surrey, British Columbia, Canada, V3S 7X1

Telephone: 604.576.3100  
 Facsimile: 604.576.3101  
 Toll Free Sales: 1.800.830.3539  
 Email: [sales@flextech-ind.com](mailto:sales@flextech-ind.com)

### Alberta Office / Plant

8904 - 18th Street, Edmonton, Alberta, Canada, T6P 1K6

Telephone: 780.464.7588  
 Facsimile: 780.464.7515  
 Toll Free Sales: 1.877.353.9832  
 Email: [ab.sales@flextech-ind.com](mailto:ab.sales@flextech-ind.com)



[www.flextech-ind.com](http://www.flextech-ind.com)

### DAMPER REPAIR AND REFURBISHMENT SERVICE

When regular inspection detects parts that need replacement contact Flextech Industries for damper refurbishment and parts maintenance service, including - controls, hose, fittings, bearings, packing and actuators. Ask us about any installed damper. Contact Flextech to discuss a site inspection or fax drawings, attention, "refurbishment" to: 660.885.6852



### Ask for on-site demonstration.

We will bring a full-size Guillotine damper to your facility and demonstrate our patented Bellowseal® design - the tightest seal in the industry. Call 1.877.838.3539

